



The Radiochemistry of Astatine (1960)

Pages
36

Size
6 x 9

ISBN
0309339553

Appelman, Evan H.; Subcommittee on Radiochemistry;
Committee on Nuclear Science; National Research
Council

 [Find Similar Titles](#)

 [More Information](#)

Visit the National Academies Press online and register for...

- ✓ Instant access to free PDF downloads of titles from the
 - NATIONAL ACADEMY OF SCIENCES
 - NATIONAL ACADEMY OF ENGINEERING
 - INSTITUTE OF MEDICINE
 - NATIONAL RESEARCH COUNCIL
- ✓ 10% off print titles
- ✓ Custom notification of new releases in your field of interest
- ✓ Special offers and discounts

Distribution, posting, or copying of this PDF is strictly prohibited without written permission of the National Academies Press. Unless otherwise indicated, all materials in this PDF are copyrighted by the National Academy of Sciences.

To request permission to reprint or otherwise distribute portions of this publication contact our Customer Service Department at 800-624-6242.

Copyright © National Academy of Sciences. All rights reserved.

COMMITTEE ON NUCLEAR SCIENCE

L. F. CURTISS, *Chairman*
National Bureau of Standards

ROBLEY D. EVANS, *Vice Chairman*
Massachusetts Institute of Technology

J. A. DeJUREN, *Secretary*
Westinghouse Electric Corporation

H. J. CURTIS
Brookhaven National Laboratory

G. G. MANOV
Tracerlab, Inc.

SAMUEL EPSTEIN
California Institute of Technology

W. WAYNE MEINKE
University of Michigan

HERBERT GOLDSTEIN
Nuclear Development Corporation of
America

A. H. SNELL
Oak Ridge National Laboratory

H. J. GOMBERG
University of Michigan

E. A. UEHLING
University of Washington

E. D. KLEMA
Northwestern University

D. M. VAN PATTEN
Bartol Research Foundation

ROBERT L. PLATZMAN
Argonne National Laboratory

LIAISON MEMBERS

PAUL C. AEBERSOLD
Atomic Energy Commission

W. D. URRY
U. S. Air Force

J. HOWARD McMILLEN
National Science Foundation

WILLIAM E. WRIGHT
Office of Naval Research

SUBCOMMITTEE ON RADIOCHEMISTRY

W. WAYNE MEINKE, *Chairman*
University of Michigan

EARL HYDE
University of California (Berkeley)

NATHAN BALLOU
Navy Radiological Defense Laboratory

HAROLD KIRBY
Mound Laboratory

GREGORY R. CHOPPIN
Florida State University

GEORGE LEDDICOTTE
Oak Ridge National Laboratory

GEORGE A. COWAN
Los Alamos Scientific Laboratory

ELLIS P. STEINBERG
Argonne National Laboratory

ARTHUR W. FAIRHALL
University of Washington

PETER C. STEVENSON
University of California (Livermore)

HARMON FINSTON
Brookhaven National Laboratory

LEO YAFFE
McGill University

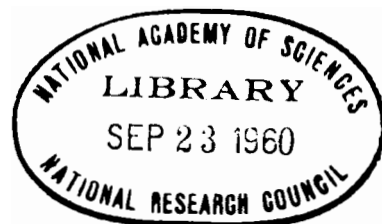
Appelman, Evan H.
The Radiochemistry of Astatine

The Radiochemistry of Astatine

By **EVAN H. APPELMAN**

*Argonne National Laboratory
Lemont, Illinois*

March 1960



**Subcommittee on Radiochemistry
National Academy of Sciences—National Research Council**

Printed in USA. Price \$0.50 Available from the Office of Technical
Services, Department of Commerce, Washington 25, D. C.

FOREWORD

The Subcommittee on Radiochemistry is one of a number of subcommittees working under the Committee on Nuclear Science within the National Academy of Sciences- National Research Council. Its members represent government, industrial and university laboratories in the areas of nuclear chemistry and analytical chemistry.

The Subcommittee has concerned itself with those areas of nuclear science which involve the chemist, such as the collection and distribution of radiochemical procedures, the establishment of specifications for radiochemically pure reagents, the problems of stockpiling uncontaminated materials, the availability of cyclotron time for service irradiations, the place of radiochemistry in the undergraduate college program, etc.

This series of monographs has grown out of the need for up-to-date compilations of radiochemical information and procedures. The Subcommittee has endeavored to present a series which will be of maximum use to the working scientist and which contains the latest available information. Each monograph collects in one volume the pertinent information required for radiochemical work with an individual element or a group of closely related elements.

An expert in the radiochemistry of the particular element has written the monograph, following a standard format developed by the Subcommittee. The Atomic Energy Commission has sponsored the printing of the series.

The Subcommittee is confident these publications will be useful not only to the radiochemist but also to the research worker in other fields such as physics, biochemistry or medicine who wishes to use radiochemical techniques to solve a specific problem.

W. Wayne Meinke, Chairman
Subcommittee on Radiochemistry

CONTENTS

I.	General Reviews of Astatine Chemistry and Radiochemistry	1
II.	Isotopes of Astatine	1
III.	Hazards Involved in Handling Astatine	2
IV.	Summary of the Chemical Properties of Astatine	2
V.	Preparation of Astatine	7
VI.	Techniques for Counting Astatine Samples	8
VII.	Collection of Detailed Procedures for Isolation and Purification of Astatine	9
	A. Isolation of Astatine from Targets	9
	B. Miscellaneous Radiochemical Methods	21
	References	28



The Radiochemistry of Astatine*

EVAN H. APPELMAN
Argonne National Laboratory
Lemont, Illinois
March 1960

I. General Reviews of Astatine Chemistry and Radiochemistry

Edward Anders, Ann. Rev. Nucl. Sci. 9, 203 (1959).

Earl K. Hyde, J. Chem. Ed. 36, 15 (1959).

Earl K. Hyde, J. Phys. Chem. 58, 21 (1954)

II. Isotopes of Astatine¹

<u>Mass No.</u>	<u>Half-life</u>	<u>Principal modes of decay</u>
< 202	43 sec.	electron capture, α
< 203	1.7 min.	e. c.
203	7 min.	e. c., α
204	25 min.	e. c.
205	25 min.	e. c., α
206	2.9 hr.	e. c.
207	1.8 hr.	90% e. c., 10% α
208	6.3 hr.	electron capture

*This monograph was prepared at the request of the Subcommittee on Radiochemistry of the Committee on Nuclear Science of the National Research Council.

<u>Mass No.</u>	<u>Half-life</u>	<u>Principal modes of decay</u>
208'	1.6 hr.	e. c. + 0.5% α + γ
209	5.5 hr.	95% e. c., 5% α , γ
210	8.3 hr.	electron capture + 0.2% α + γ
211	7.2 hr.	59% e. c., 41% α
212	0.22 sec.	α
213	?	α
214	2×10^{-6} sec.	α
215	10^{-4} sec.	α
216	3×10^{-4} sec.	α
217	0.018 sec.	α
218	2 sec.	α + 0.1% β
219	0.9 min.	97% α , 3% β

III. Hazards Involved in Handling Astatine

All the precautions customary in the handling of highly radioactive substances must be observed in work with astatine. The tendency of astatine to concentrate in the thyroid makes it particularly dangerous,² and its volatility makes it necessary to provide adequate ventilation during all operations. At²¹⁰ is additionally hazardous because of its hard gamma ray and its 140-day, alpha-emitting Po²¹⁰ daughter.

IV. Summary of the Chemical Properties of Astatine³⁻⁷

Since astatine has no long-lived isotopes, chemical studies of it must be conducted at very low concentrations--usually of the order of 10^{-15} M. This makes the astatine concentration comparable to that of the least of the impurities in the experimental system. The re-

action of the astatine with such impurities often leads to irreproducible and uninterpretable--not to say exceedingly frustrating--results which lend considerable uncertainty to our knowledge of the chemistry of this element.

We might anticipate that astatine, as the heaviest halogen, would have properties roughly similar to those of its lighter brethren. However, a close examination of the chemistry of the halogens reveals marked differences among them, and the radiochemist must at all times be acutely aware of those properties which distinguish astatine from the other halogens.

At least four oxidation states of astatine have been identified in aqueous solution:

Astatide, At^- , is formed by reduction of higher states with SO_2 , zinc, As(III) at $\text{pH} > 5$, or ferrocyanide at $\text{pH} > 3$ and ionic strength < 0.1 . It is characterized by nearly complete coprecipitation ($>90\%$) with AgI , TlI , or PbI_2 .

The so-called "At(0)" is the form in which astatine is usually found when left to its own devices in acidic solution. In the absence of macro quantities of other halogens, At(0) is characterized by high volatility, a tendency to be adsorbed on metal or glass surfaces, and by ready, but quantitatively unpredictable extractability from acidic aqueous solutions into organic solvents. Thus in a single extraction CCl_4 , benzene, toluene, cyclohexene, n-heptane, or isopropyl ether will remove from 70 to 98% of the astatine from an equal volume of an aqueous solution.

Various workers have reported degrees of coprecipitation of At(0) with insoluble iodides and iodates ranging

from 0 to 90%. The astatine may be nearly quantitatively precipitated with elemental tellurium formed in situ in acid solutions, and will partially precipitate with insoluble sulfides and hydroxides.

The extractability of At(0) into hydrocarbons or CCl_4 decreases markedly with the addition of halide ions, while the extractability into ethers is not greatly altered.

The At(0) becomes unextractable into all organic solvents when an acid aqueous solution is rendered alkaline. The extractability is usually largely restored if the solution is reacidified within a short time. From the alkaline solution the astatine is completely coprecipitated with TlI or with AgI, the latter precipitated from an NH_4OH solution.

It has usually been assumed that the astatine species present in "At(0)" solutions is At_2 . The effect of halide ions might then be explained in terms of the formation of such complexes as At_2I^- , which would not extract into CCl_4 or hydrocarbons, but might extract into ethers as HAt_2I . The behavior in alkaline solution is explicable in terms of reversible hydrolysis to At^- and HOAt .

However, as we have already noted, astatine is subject to reaction with impurities. At(0) should be especially vulnerable, since not only is At_2 expected to be extremely labile in its reactions, but any reaction which tends to break up the At_2 molecule becomes thermodynamically favored at these low astatine concentrations. To make matters worse, most of the experiments involving At(0) have been carried out without adequate control of the oxidation potentials of the solutions. Thus in addition to At_2 these solutions may contain assorted compounds of astatine with

whatever organic impurities happen to be around, the exact species present varying from one solution to the next. It is small wonder that irreproducible behavior has been observed.

These complications may be largely avoided if another halogen and halide ion are present at macro concentrations. Now not only does the macro $X^- - X_2$ couple control the oxidation potential of the system, but the astatine is in the form of a known interhalogen compound, since the reactions $At_2 + X_2 = 2AtX$ should be rapid and quantitative. Further, the macro halogen will react preferentially with many impurities which might otherwise react with the astatine.

In the presence of iodine and iodide the moderately extractable species AtI and the unextractable complex ion AtI_2^- appear to be formed. At 21°C. the distribution between aqueous solutions and CCl_4 is represented by

$$D = \text{organic astatine/aqueous astatine} = 5.5/1+2000(I^-)$$

From such solutions the astatine is not coprecipitated with AgI or $Pb(IO_3)_2$. Addition of Tl^+ to these solutions precipitates $TlI \cdot xI_2$, removing the iodide, most of the I_2 , and all of the astatine from solution. The I_2 and astatine may readily be removed from the precipitate by washing it with acetone. PbI_2 does not coprecipitate astatine from these solutions if the stoichiometric I_2 concentration is low; when it is high, both I_2 and astatine are partially adsorbed by the precipitate but may be removed by acetone.

In a system containing I_2 , IBr , and Br^- , the astatine is largely unextractable into CCl_4 , being present primarily as the slightly extractable $AtBr$ and the unextractable $AtBr_2^-$.

The intermediate positive astatine state or states, which we may designate $\text{At}(X)$, have been identified primarily on the basis of what they do not do. $\text{At}(X)$ is completely unextractable into CCl_4 or benzene, though it may extract into ethers from several molar HCl solutions, and it does not coprecipitate with insoluble iodides or iodates.

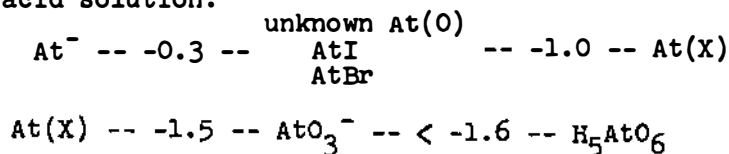
$\text{At}(X)$ is formed by oxidation of $\text{At}(0)$ with Br_2 or Cl_2 (but see following discussion of AtO_3^-) or by photochemical oxidation with a $\text{VO}^{++} \text{--} \text{VO}_2^+$ mixture or with Fe^{+++} at low Fe^{++} concentrations. These photochemical oxidations are reversed in the dark, returning the astatine to the extractable $\text{At}(0)$ state. The radiochemist must always consider the possibility of interference from such photochemical reactions.

Likely possibilities for $\text{At}(X)$ are HOAt and HAtO_2 , with the ether-extractable species being the corresponding polyhalo-acids HAtCl_2 and HAtCl_4 . However organoastatine compounds cannot be excluded from consideration.

Astatate, AtO_3^- , has been identified as an unextractable species completely coprecipitated with AgIO_3 , $\text{Ba}(\text{IO}_3)_2$, or $\text{Pb}(\text{IO}_3)_2$. It is formed by oxidation of lower astatine states with Ce^{+4} , hot persulfate, or hot periodic acid. It is also formed when Ag^+ is added to an $\text{I}_2\text{--I}^-$ solution containing AtI , presumably in accordance with the reaction $\text{AtI} + 2\text{I}_2 + 3\text{H}_2\text{O} + 5\text{Ag}^+ = \text{AtO}_3^- + 5\text{AgI} + 6\text{H}^+$. Although the product of Cl_2 oxidation of $\text{At}(0)$ is primarily $\text{At}(X)$, when no chloride is present in solution other than that formed by hydrolysis of the chlorine, partial coprecipitation of the astatine with $\text{Pb}(\text{IO}_3)_2$ is observed, and this may indicate partial oxidation of the $\text{At}(X)$ to AtO_3^- .

No evidence has been found for a perastatate.

The following potential diagram, referred to 0.1 M. acid, summarizes the oxidation-reduction behavior of astatine in acid solution.



V. Preparation of Astatine

Astatine for chemical and medical studies and for tracer use is prepared by bombardment of metallic bismuth or bismuth oxide with alpha particles of energy exceeding 20 Mev, according to the reactions $\text{Bi}^{209}(\alpha, xn) \text{At}^{213-x}$. The reactions with $x = 2, 3,$ and 4 have threshold energies of 20, 28, and 34 Mev, respectively.^{8,9}

Metallic bismuth, the more common target material, is customarily fused or vaporized onto aluminum or gold backing plates. Since astatine may be volatilized from molten bismuth it is necessary to cool the target carefully. Bismuth is a poor thermal conductor, and the cooling problem increases with the thickness of the bismuth layer. The back of the target is generally water-cooled. The face is most effectively cooled by a flow of helium, though a static helium atmosphere is often used. An 0.5 to 1 mil stainless steel or copper cover foil pressed tightly to the surface of the bismuth helps to dissipate the heat evolved and also prevents astatine from escaping from the target.

When bismuth oxide is used, it is generally pressed into small holes drilled in the face of a thick aluminum plate and thereafter treated in the same manner as the metallic targets. Melting of the target material is much less likely in this case.

In all cases the beam of alpha particles should be defocused as much as possible to avoid local hot spots on the target.

Various astatine isotopes are also formed by spallation reactions brought about by high energy bombardment of a variety of elements.

VI. Techniques for Counting Astatine Samples

Astatine²¹¹ may be assayed by counting either its alpha particles or the x-rays accompanying its electron capture. The alpha counting may be carried out in any conventional alpha counters, such as gas-flow ionization chambers or proportional counters, or zinc sulfide scintillation counters. Reproducible and adherent astatine samples may be obtained by evaporating astatine solutions in about 2 M HCl to dryness on silver or platinum foils under an infrared lamp. Under most other conditions such evaporations show erratic losses of astatine.

The requirement of virtually weightless samples to avoid self-absorption severely restricts alpha counting as a means of assaying astatine. In coprecipitation experiments one may circumvent this difficulty by counting infinitely thick samples of homogeneous precipitates, i.e., samples so thick that no alpha particles from the bottom of the sample are counted. However, the absorption problem can be almost completely eliminated by the use of x-ray counting methods, which permit the direct assay of solutions and of bulky and inhomogeneous precipitates. Although the x-rays may be counted with a Geiger counter, much greater efficiency is obtained with a sodium-iodide

scintillator. It is advantageous to reduce the relatively high background of the scintillator by operating it as an energy analyzer registering only counts of energy in the vicinity of the ca. 90 kv. k-x-ray of the astatine's polonium daughter.

At^{211} decays in part to the long-lived Bi^{207} which also decays by electron capture. The ratio of initial At^{211} x-ray activity to residual Bi^{207} activity is of the order of 10^5 . The bismuth is usually present in colloidal form -- probably adsorbed on dust particles -- and will be carried along unpredictably through a surprisingly wide variety of chemical procedures. Only distillation of the astatine can be relied on to remove all of the Bi^{207} . Samples x-ray assayed for astatine some time after purification from Bi^{207} should be recounted after the astatine has entirely decayed away, the resulting Bi^{207} count being subtracted from the original count of the sample.

The techniques outlined here for At^{211} apply generally to the other astatine isotopes, with specific modifications arising from the decay scheme of the particular isotope in question. Thus, for example, At^{210} may also be assayed by scintillation counting of its 0.25 and 1.2 Mev gamma rays.

VII. Collection of Detailed Procedures for Isolation and Purification of Astatine

A. Isolation of Astatine from Targets

Methods of two types are available for removing astatine from bismuth targets--those involving distillation of the astatine from the molten target and those involving dissolution of the target in acid.

PROCEDURE 1

DISTILLATION OF ASTATINE FROM MOLTEN BISMUTH IN AIR¹⁰

For very rapid separation of astatine from the bismuth target, a method is used which gives astatine of somewhat uncertain purity but which is considered adequate for determination of short-lived alpha-emitters. The basis for the method is the distillation of astatine from molten bismuth. The bismuth target is dropped into a stainless steel crucible fitted on top with a water-cooled steel finger to which a collecting platinum disk is clamped. When the bismuth is kept slightly above its melting point (as measured by a thermocouple fitted into a well in the crucible), within a few seconds astatine distills onto the collecting plate. Polonium does not distill in appreciable quantities until considerably higher temperatures are reached. Using a vacuum carrier system to deliver the target, this procedure permits samples to be in the alpha-pulse analyzer within 90 seconds after the cyclotron beam is shut off.

Editor's Comments: This method was confirmed by the editor and Ralph D. McLaughlin.⁷ Although the astatine begins to come off the target at the melting point of the bismuth, temperatures as high as 800°C. may be required to effect nearly quantitative removal. Astatine collected at such temperatures will be contaminated with any polonium which may have been present in the target, and also with some bismuth. The adherence of the astatine to the collecting plate is strongly dependent on the material of which the plate is made. Deposits on platinum or silver are strongly adherent, while those on aluminum are much less so.¹¹

PROCEDURE 1 (Cont'd.)

This procedure has also been found suitable for isolating astatine prepared by heavy-ion bombardment of gold. In this case the gold is dissolved in the molten bismuth.¹²

PROCEDURE 2

PURIFICATION OF ASTATINE ISOLATED BY PROCEDURE 1⁷

The astatine-containing plate from Procedure 1 is placed in a tube on the end of an all-glass vacuum system incorporating a U tube.^a The plate is heated to 120°C. with an electric furnace to drive off volatile impurities. A liquid nitrogen cooling bath is placed around the U tube^b and the furnace temperature is raised to 500°C. over about 10 min.^c The vacuum is broken and water or any desired aqueous solution is added to the cold U tube. Upon thawing, the solution is withdrawn, leaving virtually none of the astatine behind. Yields are in the vicinity of 50%.

Notes:

^aSeveral centimeters of glass tubing between the U tube and the platinum plate is desirable to prevent polonium from transferring to the U tube. If polonium contamination is not a problem, this tubing may be heated to 100°C. or more during the distillation to prevent adsorption of astatine on the glass. Hydrocarbon greases should be avoided between the U tube and the plate, since they have a strong tendency to adsorb astatine. Dow Corning silicone grease adsorbs relatively little astatine, as does a totally fluorinated fluorocarbon fraction (e.g. Hooker Chemical Company Fluorolube HG 1200).

^bA bath at dry-ice temperature may be used, but in this

PROCEDURE 2 (Cont'd.)

case a portion of the astatine may pass through the trap.

^cA furnace is better for this heating than an induction heater, since when the latter is used the astatine has a tendency to leave the hot metal plate and become irretrievably imbedded in the cooler glass walls of the tube. The temperature of the furnace should be raised gradually.

PROCEDURE 3

DISTILLATION OF ASTATINE FROM MOLTEN BISMUTH IN HIGH VACUUM⁴

The procedure used was to distill the astatine from bismuth at its melting point in an all-glass system, and collect the carrier-free element in a four-millimeter diameter U tube cooled by liquid nitrogen. The U tube while still cold was washed with one drop of concentrated nitric acid, allowed to stand 1 hour, and then washed with distilled water into a stock bottle. By this method three-milliliter solutions were prepared containing 0.5-molar nitric acid and 10^7 disintegrations/sec. of astatine. Such a solution is 2.1×10^{-10} molar with respect to astatine. Yields up to 0.95 were obtained with less than 0.001 of any polonium present in the original target coming over.

Astatine evaporated on glass is very poorly held by this surface at room temperature. Based on this information, a double separation of astatine from bismuth and polonium was accomplished. A bismuth plate was bombarded in such a way as to accumulate in it approximately equal numbers of polonium and astatine atoms, after which a first distillation was carried out in the usual way. The tube containing the bismuth was sealed off and the astatine

PROCEDURE 3 (Cont'd.)

then distilled at room temperature to a second U tube cooled by liquid nitrogen. The yield of this experiment was 0.83 of the astatine present on the original target, with less than 10^{-6} of the polonium coming over.

Editor's Comments: This procedure is presented on a caveat emptor basis. The editor and Ralph D. McLaughlin tested the method but were unable to repeat it successfully.⁷ In our experiments the astatine did not distill below 600°C. Above this temperature the bismuth itself began to distill, carrying the astatine with it. Johnson, Leininger, and Segre⁸ bombarded bismuth layers less than 40 mg/cm² thick on 1 mil aluminum backings. Our bismuth layers were from 0.5 to 1 g/cm² thick on 10 mil aluminum backings. It is possible that the difference in thickness of the bismuth is in some way responsible for the difference in results.

We also had difficulty redistilling the astatine from glass. It was often necessary to heat the glass to several hundred degrees centigrade before the astatine was removed. The astatine was probably being held by impurities which condensed with it. A dark stain was often visible at the point on the glass where the astatine had condensed.

PROCEDURE 4

DISTILLATION OF ASTATINE FROM MOLTEN BISMUTH IN A STREAM OF INERT GAS¹³

About 220 mg/cm² of spectroscopically pure bismuth are fused to a 10-mil gold disc, 3-3/8 inches in diameter, to conform to the 2-by-7-cm. collimating slot in the cyclotron window assembly, Fig. 1. The beam is sufficiently well

PROCEDURE 4 (Cont'd.)

collimated so that with centering of the bismuth more than 80% of the gold target may be recovered free of induced radioactivities. Enough platinum foil is placed in the path of the alpha beam at A (Fig. 1) to degrade the alpha-particle energy to 29 Mev. This is the optimum energy for the alpha-2n reaction with bismuth to form At^{211} without simultaneously producing At^{210} by the alpha-3n reaction.

Air is blown in along the side of the platinum foils to dissipate the heat produced by the beam. One-half atmosphere of helium is held in the area between the foils and the bismuth so that this area will be free of any oxygen. The presence of oxygen would lead to the formation of bismuth oxide, which could be carried over in the subsequent distillation operation. Because At^{211} is very volatile, even at room temperatures, water cooling is carried on just behind the gold target plate at B (Fig. 1). The total beam on the assembly in microampere hours is indicated by the integrator (Fig. 1).

At the end of the bombardment, the target and holder are allowed to cool for a short period of time to permit the decay of the short-lived radioisotopes produced in the aluminum, platinum, and gold foils. The target plate is then removed from the assembly and carefully dried. After the removal of the excess gold from either side of the gold-bismuth alloy, the target is cut lengthwise into two pieces, taking care to avoid flaking of the bismuth. These two pieces are placed in a small quartz boat, which is inserted into the large quartz tube shown at C (Fig. 2). Survey-meter readings are taken at the surface of the heating unit and at the cold finger D (Fig. 2) in order to

PROCEDURE 4 (Cont'd.)

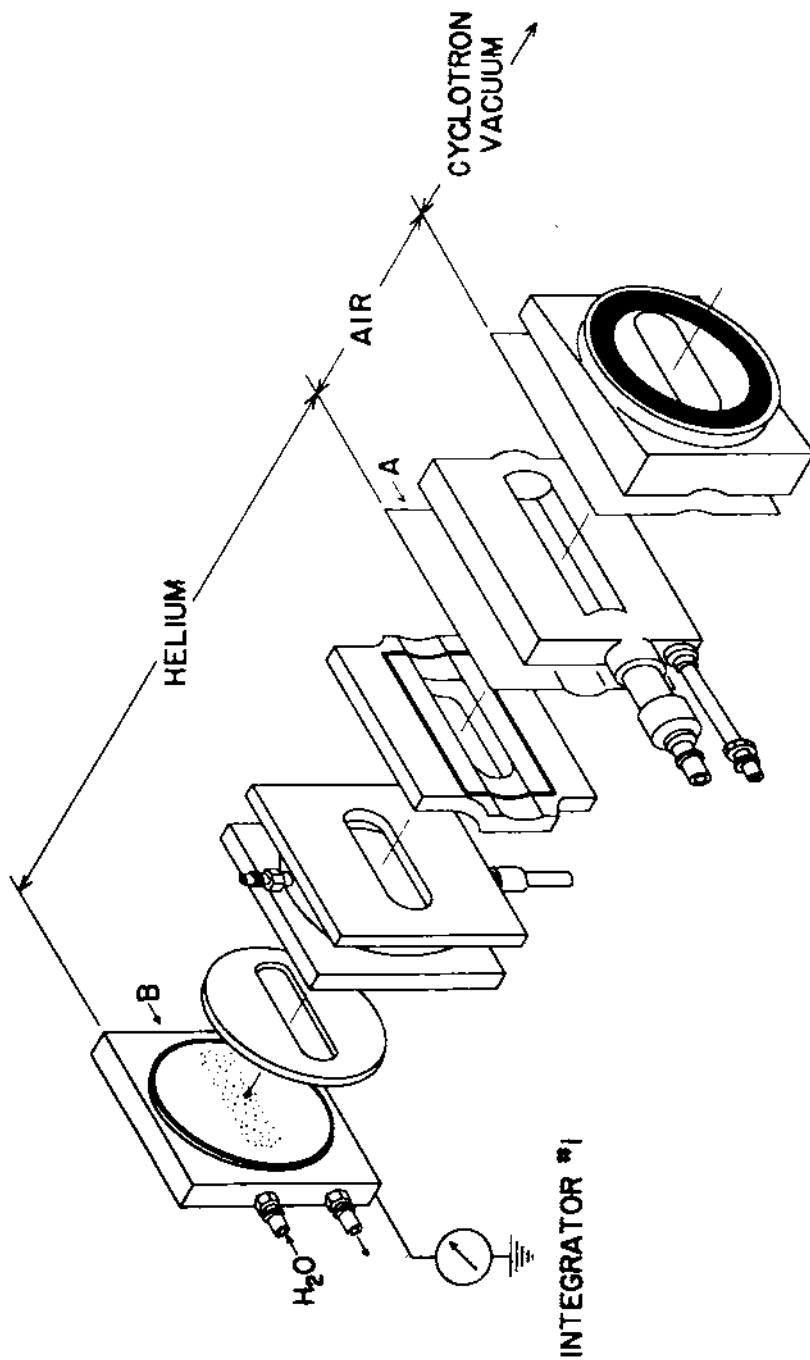


FIGURE 1.

PROCEDURE 4 (Cont'd.)

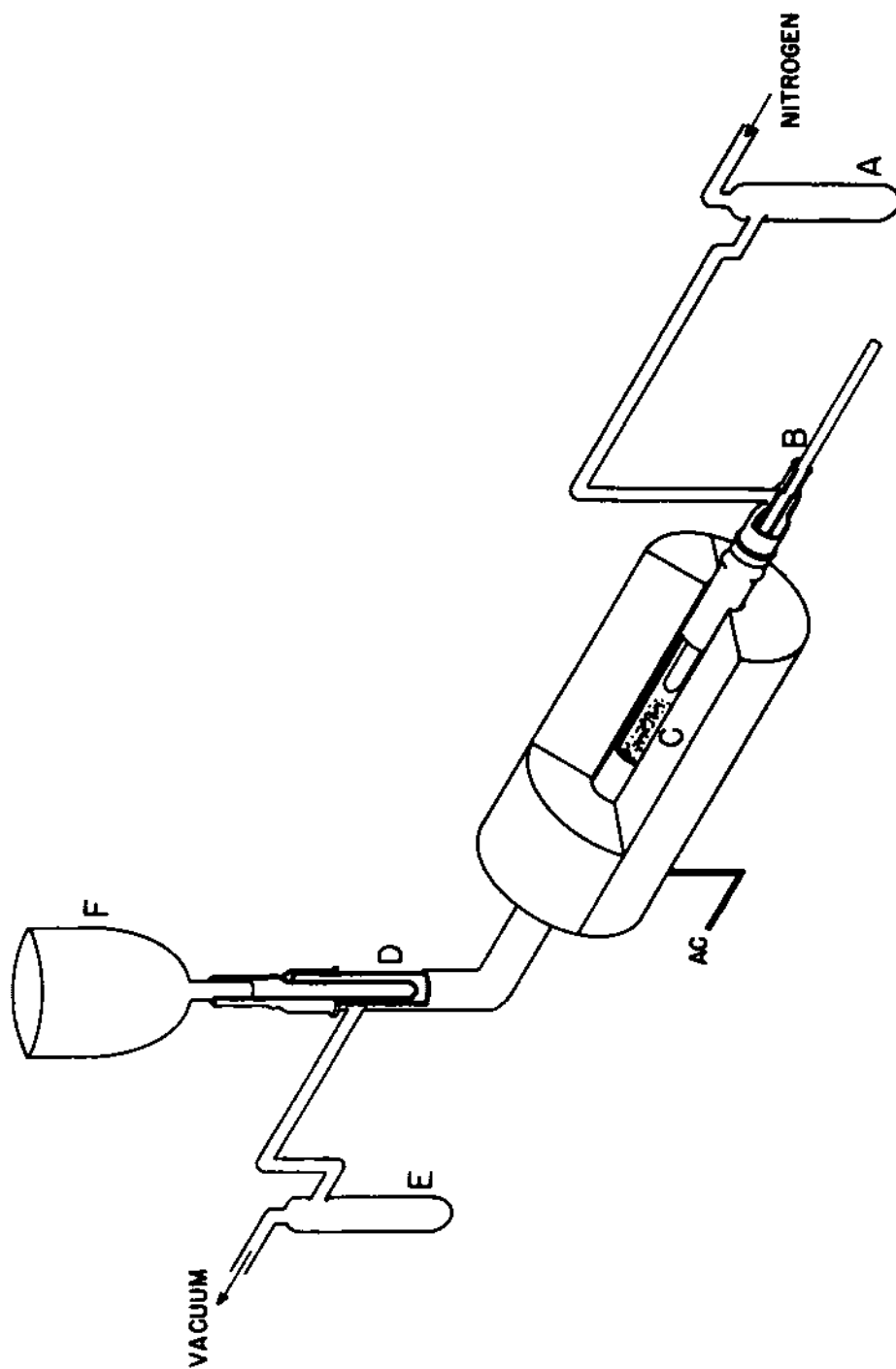


FIGURE 2.

PROCEDURE 4 (Cont'd.)

provide a reference point for later determination of completeness of the distillation of the At^{211} . Liquid nitrogen is put in the cold finger reservoir F (Fig. 2) and around the trap E (Fig. 2). In order to facilitate collection and to prevent the adsorption of the astatine on the glass of the cold finger, a thin film of ice is deposited on the finger by soft breathing. The entire system is evacuated with a Cenco-Megavac pump and tested with a Tesla coil. When a vacuum of less than 200 microns is obtained, an inert streaming gas--helium or nitrogen--is introduced through the capillary tube between A and B (Fig. 2). Two pounds of pressure is maintained on the tank side in order to permit a steady flow of gas over the bismuth to the cold finger. Neither water nor oxygen is permitted to enter the system, because it has been found that these tend to increase colloid formation.

The furnace is turned on, and the target is brought rapidly to 700°C as determined by a thermometer inserted in B (Fig. 2). Below this temperature the yield of At^{211} is low and above it a brown to black layer of bismuth may distill onto the cold finger and cause great loss of activity in subsequent centrifugation. The quartz tube between the furnace and the finger is flamed periodically to prevent adsorption of any activity on the walls of the quartz tube. The temperature is held at 700°C for approximately 40 minutes, or until survey-meter readings give no further indication of movement of activity from target to finger.

The furnace is turned off and opened, and the apparatus is allowed to cool to approximately 100°C . The vacuum

PROCEDURE 4 (Cont'd.)

pump is turned off. When the system has returned to atmospheric pressure, the cold finger is carefully lifted straight up to prevent any of the ice from flaking off. The finger is washed with 10 ml of isotonic saline containing 5 mg/ml of Na_2SO_3 . This solution is placed in an ultracentrifuge for 20 minutes at 30,000 rpm. The centrifuge cone is read with a survey meter and the value recorded. The supernatant is transferred to a 25-ml serum bottle. A 10-ml volume of water is added to the cone and shaken with the residue. The cone is again metered to determine the amount of activity remaining in the cone as colloid.

Editor's comments: The editor confirmed this procedure, obtaining yields of about 10%. Garrison et al.¹⁴ report a similar procedure using a flow of nitrogen at 10^{-2} to 10^{-3} mm. of Hg. They heated the bismuth only to 425°C.

PROCEDURE 5

ISOLATION OF ASTATINE BY DISSOLUTION OF THE TARGET AND EXTRACTION INTO ISOPROPYL ETHER⁵ (See also Procedure 6)

In making the isolation from the target, the bismuth is dissolved in nitric acid and the solution concentrated by boiling. The solution is not taken to dryness, as a little HNO_3 does not interfere. Concentrated HCl is added to bring the HCl concentration to 8 M, and the solution is cooled and extracted with isopropyl ether.^a Isopropyl ether that has previously been equilibrated with 8 M HCl is somewhat better than pure ether for this purpose, since its use minimizes volume changes. The yields in a single extraction are better than 90%, the presence of Bi(III) salts increasing the extract-

PROCEDURE 5 (Cont'd.)

ability. Washing the ether phase with 8 M HCl removes about 10% of the activity. Less than 0.01% of the bismuth is retained in this procedure.

In the recovery of astatine from residues, higher oxidation states of astatine are reduced with hydrochloric acid, lower oxidation states are oxidized with Cl_2 . Organic forms are apparently not affected by this treatment. Because of the large amount of sodium compounds that appeared in the residues, sodium chloride often precipitated from the 8 M HCl solutions. Separation by centrifugation is satisfactory, as there is no tendency for the complex to be retained on the precipitate. Iron salts, if present, are oxidized to Fe(III) and are extracted along with the astatine. Back-extraction with NaOH solution precipitates $\text{Fe}(\text{OH})_3$, which will carry some of the astatine. Only about 5% of the astatine is carried if the amount of $\text{Fe}(\text{OH})_3$ is not exorbitant. The extraction procedure also serves to separate from Po^{210} , which accumulates from the decay of At^{210} .

Note:

^aThe isopropyl ether has previously been purified from peroxides by washing with three portions of saturated aqueous FeSO_4 , followed by three portions of water.

Editor's comments: The editor has confirmed this method with certain exceptions: The HCl used to wash the astatine-containing ether should be about 1 M in HNO_3 . If no nitrate is present up to half of the astatine activity may be backextracted in this wash. Neumann backextracted the astatine with 0.5 M NaOH. However I have found the complete-

PROCEDURE 5 (Cont'd.)

ness of this back-extraction to be variable. Sometimes less than half of the astatine can be backextracted. I have not tested the use of this method for the recovery of astatine from residues.

PROCEDURE 6

ISOLATION OF ASTATINE BY DISSOLUTION OF THE TARGET AND EXTRACTION INTO ISOPROPYL ETHER, AND PURIFICATION FROM LEAD, BISMUTH, AND POLONIUM¹⁰

The method developed for removal of pure astatine consisted in its extraction, presumably while in the zero oxidation state, into diisopropyl ether (DIPE). The bismuth target was dissolved in such a manner as to end up with a solution in concentrated hydrochloric acid to which ferrous sulfate was added to make sure that the astatine was reduced to the zero state. This solution was contacted with DIPE. The DIPE solution was washed with dilute sulfuric acid, or hydrochloric acid, and so far as could be told by absence of polonium and bismuth alpha-activity, the astatine was pure. Samples of the DIPE solution could then be evaporated on platinum or stainless steel disks for radiation measurement.

A solution containing pure astatine isotopes begins to grow, successively, polonium and lower element daughters principally by electron capture decay. The polonium, bismuth, and lead may be removed periodically by adding one-tenth volume of 20 percent tributyl phosphate (TBP) in isobutyl ether to the DIPE solution and extracting into a 2M nitric acid--4M hydrochloric acid aqueous solution. These elements leave the organic phase, quantitatively,

PROCEDURE 6 (Cont'd.)

in only about one minute contact time while the astatine remains quantitatively in the organic layer. The polonium can then be separated from bismuth and lead by extracting into TBP solution after destroying the nitrate ion and making the aqueous solution $6M$ HCl. The bismuth and lead are separated by precipitating the bismuth as $BiOCl$ and the lead as $PbSO_4$.

PROCEDURE 7

ISOLATION OF ASTATINE FROM BISMUTH OXIDE TARGETS¹⁵

The targets consisted of pockets of Bi_2O_3 imbedded in the surface of an aluminum slab. After irradiation the Bi_2O_3 was dissolved in $HClO_4$ containing a little iodine, and the bismuth was precipitated as the phosphate.

B. Miscellaneous Radiochemical Methods

PROCEDURE 8

DETERMINATION OF ASTATINE IN BIOLOGICAL MATERIALS BY COPRECIPITATION WITH TELLURIUM¹⁴

A sample of astatine-containing tissue (less than 10 grams wet weight) is placed in a 100-ml. borosilicate glass beaker and digested in a minimum volume of $9N$ perchloric acid containing 30% by volume of $16N$ nitric acid. After the organic material has been oxidized, the clear solution is evaporated to 10 to 15 ml. of concentrated perchloric acid. The solution is cooled and diluted to $3N$ and 5 mg. of tellurium as tellurous acid are added together with 1 ml. of $12N$ hydrochloric acid. (Tellurous acid is only slowly reduced in cold $3N$ perchloric acid in the absence of dilute hydrochloric acid) A stream of sulfur dioxide is passed through the solution, precipitating metallic tellu-

PROCEDURE 8 (Cont'd.)

rium which carries astatine quantitatively. The tellurium is separated by centrifugation, washed three times with distilled water, and transferred to a porcelain counting dish. After drying at 70°C., the dish is counted for alpha-activity.

Editor's comment: According to Corson, MacKenzie, and Segre,³ any polonium present remains quantitatively in solution when tellurium is precipitated in this way, and the astatine may subsequently be freed from tellurium by precipitating the latter from alkaline solution with sodium stannite.³

PROCEDURE 9

DETERMINATION OF ASTATINE IN BIOLOGICAL MATERIALS BY DEPOSITION ON SILVER¹⁴

A sample of astatine-containing tissue is digested in a mixture of perchloric-nitric acid.^a After digestion is complete, the solution is evaporated until the perchloric acid fumes (approximately 10 ml.), diluted to 3 N with the addition of distilled water, and transferred to a 50-ml. beaker. A circular silver foil 2 mils thick of a size convenient for alpha counting is placed in the bottom of the beaker and the solution is stirred for 30 minutes. The foil is washed in water and acetone, dried in air, and counted for alpha-activity. Although the astatine deposits principally on the top surface of the silver foil, for quantitative results both sides of the foil should be counted for alpha-activity.

Note:

^aThe digestion procedure is that detailed in Procedure 8.

PROCEDURE 9 (Cont'd.)

Editor's comments: The editor and Ralph D. McLaughlin tested this method but were unable to obtain reproducible results with it. In some experiments the astatine was quantitatively removed from solution, while in others, less than half of it could be removed. The method does not provide a separation from polonium, which is also deposited to a large extent on silver foils.

PROCEDURE 10

CODETERMINATION OF I^{127} , I^{131} AND AT^{211} IN TISSUE¹⁶

The apparatus consisted of a one-liter Claisen flask fitted by a ground-glass joint to a thistle tube with a stopcock and by a second joint to an all-glass water-jacket condenser with a delivery tube bent nearly to a right angle. Erlenmeyer flasks one-third full of CCl_4 and surrounded by an ice bath served as receivers. The receiving flasks were placed so that the delivery tube dipped well below the surface of the CCl_4 .

The thyroid glands were weighed, and no more than 50 grams was employed in a single determination. Thyroid glands weighing more than 50 grams were divided into approximately equal portions which were assayed separately. The tissue sample and some glass beads were placed in the flask with approximately three times the tissue weight of chromium trioxide. The neck of the flask was washed with three times the tissue weight of water. After the initial bubbling had subsided, a volume of 36 N sulfuric acid equal to that of the water was added slowly through the thistle tube. Since the reducing capacity of biologi-

PROCEDURE 10 (Cont'd.)

cal materials is variable, it was sometimes necessary to use more than the stated amounts of reagents. The color of the reaction mixture usually was indicative of the progress of the oxidation. Persistence of the dark-green chromic ion indicated that the oxidation was not complete and more chromium trioxide, water, and sulfuric acid were added. All the reagents used were c.p. grade.

When the addition of the acid was complete, and the violent reaction had ceased, the flask was heated slowly to a boil, and water was distilled until the amount of water collected in the receiving flask was nearly equal to that originally added, or until excess chromium trioxide precipitated. A small amount of distilled water (10 to 20 ml) was added and the distillation was continued for a few minutes to insure the complete removal of chlorine and to wash out the condenser. Over-heating was avoided because of the possibility of carrying spattered dichromate over into the condenser.

The reaction flask was then allowed to cool to about 50°C, and the receiver was replaced by a 500-ml Erlenmeyer flask containing 200 ml of fresh CCl_4 . Neither the At^{211} nor I^{131} was found in measurable quantities in the initial aqueous or organic phases in the first receiving flask.

From 50 to 200 grams of oxalic acid,^a depending on the amount of tissue in the sample, were added slowly, a few crystals at a time until the evolution of CO_2 ceased and the solution was dark green in color. The flask was then heated and water, iodine, and some of the At^{211} were distilled over until the brown iodine color was no longer

PROCEDURE 10 (Cont'd.)

discernable in the delivery tube. The distillation was continued until another 20 to 30 ml of water had been collected.

After the flask had cooled nearly to room temperature, three times the tissue weight of anhydrous ferrous sulfate was added, and the neck of the flask was washed with 20 ml of water. The distillation was continued, using the same receiving flask, until ferrous sulfate precipitated in the bottom of the distilling flask as a greenish-white solid. The distillate and the CCl_4 were transferred to a large separatory funnel with enough $0.2\text{M Na}_2\text{SO}_3$ to completely reduce the iodine. The layers were separated and the CCl_4 was discarded. The volume of the aqueous layer was recorded, and duplicate aliquots for radioactive assay were pipetted into clean tinned bottle caps.^b One ml of 0.2N KI in 0.1 N NaOH and an excess of 0.1 N AgNO_3 were added. The samples were mixed by carefully rotating the caps and were dried slowly under a heat lamp at 75°C . The sampling technique described above is quantitative, presumably as a result of the efficient scavenging of the astatine by the mixed $\text{AgI-Ag}_2\text{O}$ precipitate, which, on heating in contact with the tinned mount, is reduced to form a thin uniform film of metallic silver completely binding the astatine. The samples were assayed for At^{211} alpha activity in an ionization chamber, and for I^{131} gamma activity with a scintillation counter.^c

The stable-iodine content of the samples was determined by oxidizing an aliquot of the iodine-containing distillate with dilute HCl and H_2O_2 and re-extracting into a known volume of CCl_4 . The concentration of I_2

PROCEDURE 10 (Cont'd.)

in the CCl_4 was measured with a previously calibrated Beckman spectrophotometer at a wave length of 570 μ .

The accuracy of this method was checked by pilot experiments using samples of rat muscle or beef thyroid to which had been added known amounts of At^{211} and I^{131} . The recovery of the At^{211} was $90.2 \pm 2.8\%$ and that of I^{131} was $98 \pm 1\%$.

The recovery of iodine, both stable and radioactive, was quantitative after the reduction with oxalic acid and the subsequent distillation as I_2 . When the pilot experiments were performed, it was anticipated that At^{211} would be recovered quantitatively in the CCl_4 phase following the reduction with oxalic acid, as was iodine. It was found, however, that the recovery of the At^{211} was erratic so that the subsequent reduction with ferrous sulfate was included in the method to insure the accuracy of the determination of At^{211} .

Notes:

^aThe use of large crystals of oxalic acid is recommended, especially in the early stages of the reaction, which is quite violent.

^bWhen these bottle caps are received from the dealer, they are coated with a thin film of lacquer. This is removed by soaking for a few hours in 6 N NaOH warmed on a hot plate.

^cThe scintillation counting was done through $0.5\text{g}/\text{cm}^2$ of lead to remove α and β particles and At^{211} x-rays.

PROCEDURE 11

DETERMINATION OF ASTATINE BY COPRECIPITATION WITH METALLIC SILVER OR PALLADIUM¹⁵

Silver or palladium ion is added to the astatine solution. Then sufficient sodium sulfite is added to precipitate all of the added cation as the metal. If a nitric acid solution is used, enough sulfite must be added to nearly completely neutralize the free acid. Less than 0.5% of the astatine remains in solution.

REFERENCES

1. D. Strominger, J. M. Hollander, and G. T. Seaborg, *Rev. Modern Phys.* 30, 585 (1958).
2. J. Hamilton, C. Asling, W. Garrison, and K. Scott, "The Accumulation, Metabolism, and Biological Effects of Astatine in Rats and Monkeys," *Univ. Calif. Publ. Pharmacol.* 2, 283-343 (1953).
3. D. Corson, K. MacKenzie and E. Segré, *Phys. Rev.* 58, 672 (1940).
4. G. Johnson, R. Leininger, and E. Segré, *J. Chem. Phys.* 17, 1 (1949).
5. H. M. Neumann, *J. Inorg. Nucl. Chem.* 4, 349 (1957).
6. H. M. Neumann, "Solvent Distribution Behavior of a Positive Oxidation State of Astatine". Paper presented at the 133rd meeting of the American Chemical Society, April 1958. Division of Inorganic Chemistry, Abstract No. 84.
7. Evan H. Appelman, "Chemical Properties of Astatine" UCRL-9025 (1960) (Thesis).
8. E. Kelly and E. Segré, *Phys. Rev.* 75, 999 (1949).
9. Walter John, Jr., *Phys. Rev.* 103, 704 (1956).
10. G. Barton, A. Ghiorso, and I. Perlman, *Phys. Rev.* 82, 13 (1951).

11. Paul Donovan, private communication, (1959).
12. W. E. Burcham, Proc. Phys. Soc. (London) 67A, 555 (1954).
13. M. Parrott, W. Garrison, P. Durbin, M. Johnston, H. Powell, and J. Hamilton, "The Production and Isolation of Astatine-211 for Biological Studies" UCRL-3065 (1955).
14. W. Garrison, J. Gile, R. Maxwell, and J. Hamilton, Anal. Chem. 23, 204 (1951).
15. A. Aten, T. Doorgeest, U. Hollstein, and H. Moeken, Analyst 77, 774 (1952).
16. P. Durbin, J. Hamilton, and M. Parrott, "The Co-determination of Iodine-127, Iodine-131, and Astatine-211 in Tissue," UCRL-2792 (1954).

